



## DIN RAIL FUSE HOLDER

# ZKD SERIES

**All the patents are held accountable counterfeiting.**

### Features

- Suitable for Ø6x30mm fuse
- Fixed to various panels with M5 screws

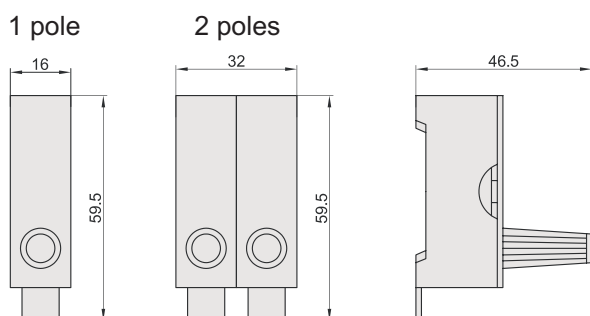


DIMENSIONS: 59.5(H)\*46.5(D)\*16(W)mm      WEIGHTS: 100g

### General specifications

MODEL	Pole Number	Rated Voltage	Rated Current	Withstanding Voltage	Insulation Resistance	Temperature Resistance
16-ZKD30-1	1	600 VAC/VDC	10A	1200VAC 1min	100MΩ 500VDC	~90°C
16-ZKD30-2	2					

### Mechanical details



### NOTE

1. Reign Power reserve the right to change specifications at any time without notice.